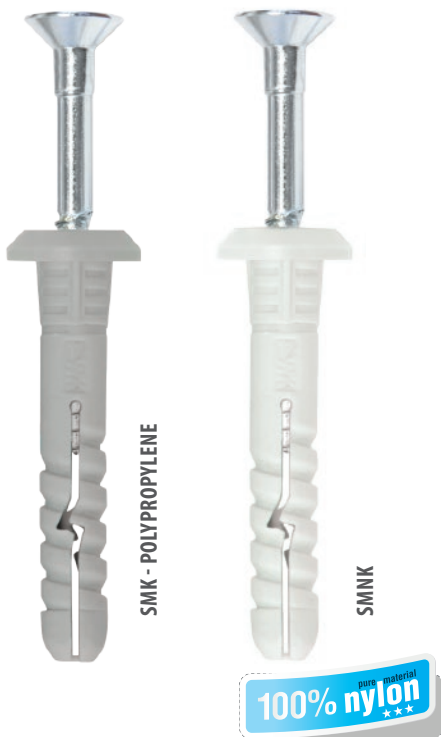


SMK Hammer drive plug with collar Ø6 **POLYPROPYLENE**

SMNK Hammer drive plug with collar Ø6 **NYLON**



NEW!



Description

Plug with collar for fixing of metal members.

Technical data

Type of installation push-through installation.

Substrate concrete, solid clay brick, calcium silicate brick, autoclaved aerated concrete.

Sleeve material/protective coating

PP polypropylene	100% nylon	Blue zinc
----------------------------	----------------------	---------------------

Features and advantages of the product



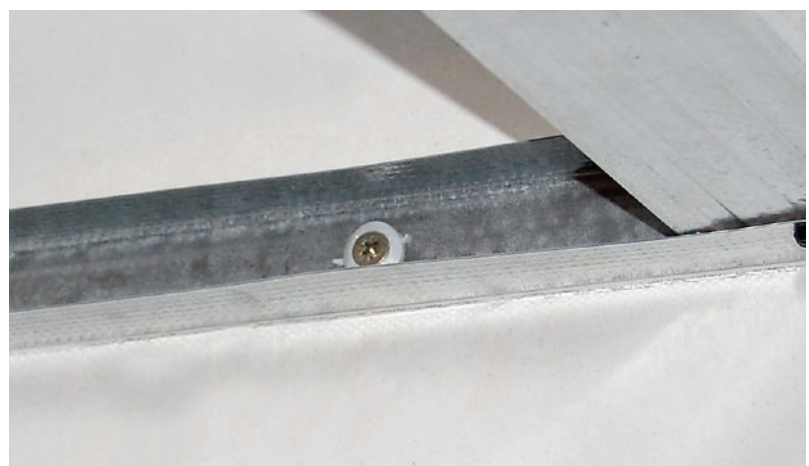
Better holding power

Increased head diameter ensures much better holding power of the elements being installed.

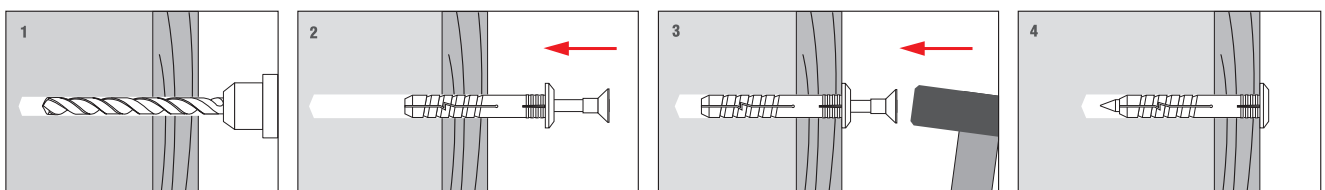


Secure fixing

Countersunk head is more solid with special underhead strengthening.



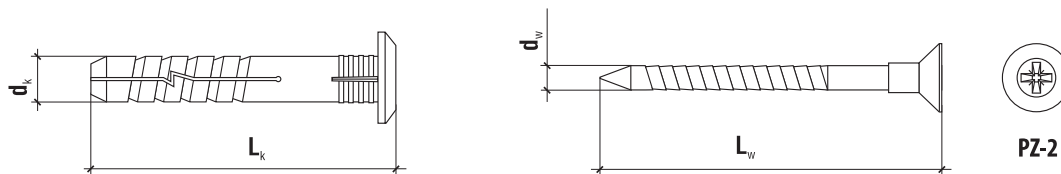
Installation



TECHNICAL DATA

Product marking

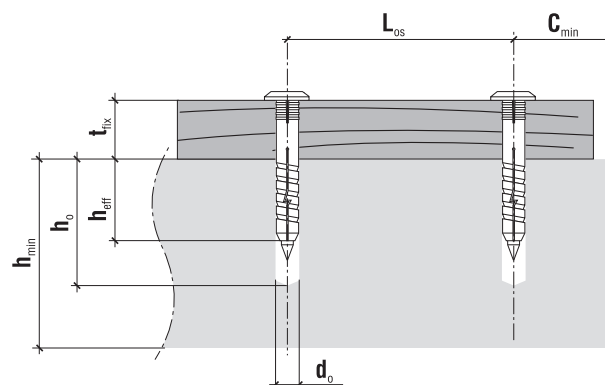
SMNK	06	040
Type	Diameter	Length



Ø6	Code POLYPROPYLENE	Code NYLON	$d_k \times L_k$ [mm]	$d_w \times L_w$ [mm]	Max. fixture thickness t_{fix} [mm]	PZ	Pcs
	SMK-06040	SMNK-06040	6 x 40	3.9 x 45	10	PZ 2	200
SMK-06060	SMNK-06060	6 x 60	3.9 x 65	30	PZ 2	200	
SMK-06080	SMNK-06080	6 x 80	3.9 x 85	50	PZ 2	100	

TECHNICAL DATA

Parameter	Unit	SMK	SMNK
Plug diameter	d_k [mm]	6	6
Hole diameter	d_o [mm]	6	6
Effective anchorage depth	h_{eff} [mm]	30	30
Depth of drill hole	h_o [mm]	40	40
Sleeve material	x	PP	PA
Screw material	x	Zinc plated steel	Zinc plated steel
Approval	x	AT-15-9031/2012	AT-15-9031/2012



DESIGN PULL-OUT RESISTANCE [kN]

Substrate	SMK-6	SMNK-6
Concrete C20/25	0.23	0.67
Solid clay brick	0.18	0.30
Calcium silicate brick	0.32	0.42
Autoclaved aerated concrete	0.13	0.11

SUBSTRATE, MINIMUM THICKNESS, DISTANCE

Plug type	Min. member thickness h_{min} [mm]	Min. edge distance C_{min} [mm]	Min. spacing L_{os} [mm]
SMNK-6	60	30	60